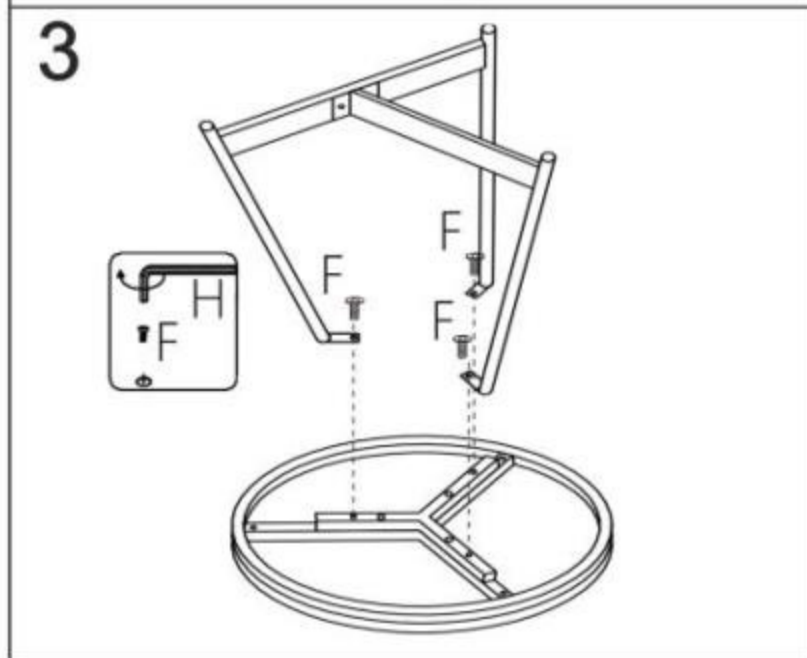


A		x1
B		x1
C		x1
D		x1
E		x1
F		x5
G		x3
H		x1



max. 20 kg